



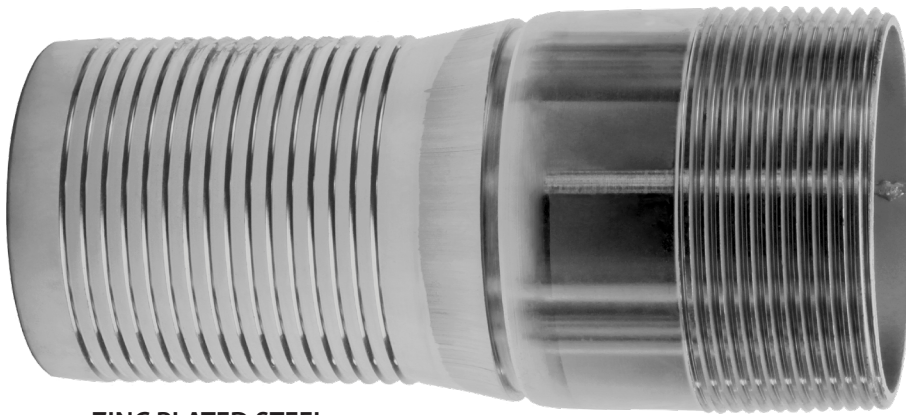
**COMBINATION NIPPLES**

CRIMPTEK - MALE NPT-  
STEEL & SS 316

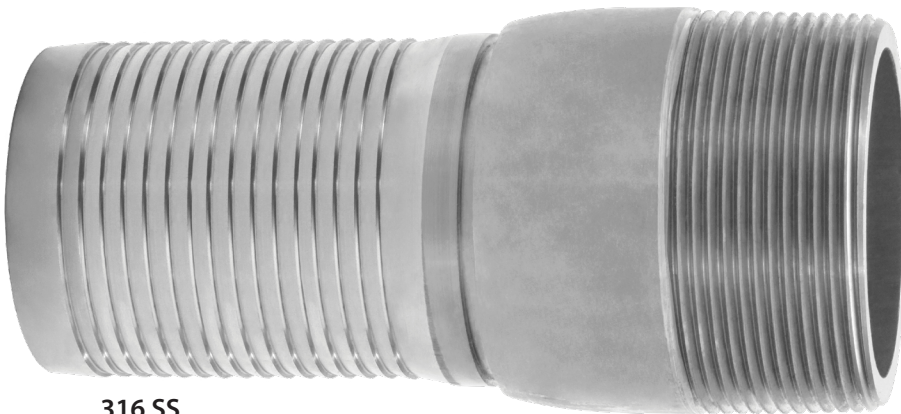
**FEATURES & APPLICATIONS:**

- Low pressure fluid transfer, suction and discharge. Working pressures may vary with hose type and clamping system used to install couplings.
- Combination Nipples are recommended for low pressure discharge and suction service for compatible liquids. NOT for compressible products such as Air, Nitrogen and Steam.

\*Schedule 40 pipe



ZINC PLATED STEEL



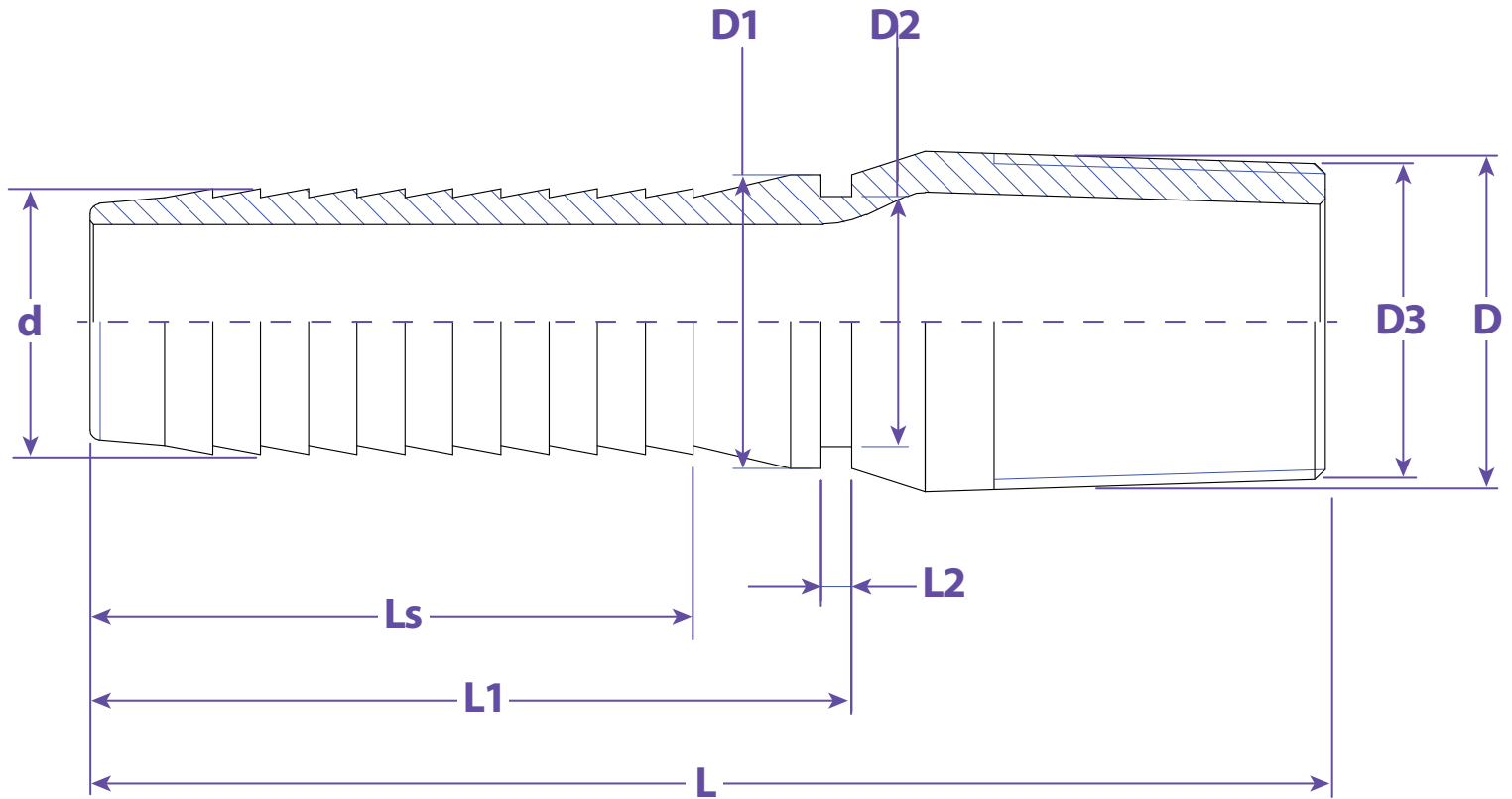
316 SS

**STEEL & STAINLESS 316**

SIZE	ZINC PLATED STEEL	316 SS #
1"	SF100SPC	SF100SS6C
1-1/4"	SF125SPC	SF125SS6C
1-1/2"	SF150SPC	SF150SS6C
2"	SF200SPC	SF200SS6C
2-1/2"	SF250SPC	SF250SS6C
3"	SF300SPC	SF300SS6C
4"	SF400SPC	SF400SS6C
6"	SF600SPC	SF600SS6C



Information contained on this page is for general information purposes only. Seal Fast Inc. assumes no responsibility for errors or omissions for this product.



Dimensions										
Size	L	L1	L2	Ls	D	D1	D2	D3	d	Part #
1"	4.528	2.618	0.118	2.008	1.339	1.268	1.169	1.220	1.035	SF100...
1-1/4"	4.528	2.618	0.118	2.028	1.681	1.520	1.413	1.575	1.280	SF125...
1-1/2"	4.764	2.756	0.118	2.402	1.913	1.677	1.563	1.783	1.535	SF150...
2"	5.236	3.130	0.118	2.559	2.394	2.185	2.059	2.264	2.031	SF200...
2-1/4"	5.906	3.504	0.126	2.756	2.874	2.752	2.610	2.717	2.531	SF250...
3"	7.008	4.370	0.126	3.543	3.500	3.315	3.150	3.346	3.031	SF300...
4"	7.598	4.626	0.126	3.976	4.500	4.311	4.157	4.331	4.031	SF400...
6"	9.331	6.142	0.157	5.335	6.626	6.358	6.181	6.457	6.047	SF600...

**TITLE COMBINATION NIPPLES - HOSE X MALE NPT NIPPLE**

**DISCLAIMER**  
All drawings and specifications are subject to change without notice. Drawings represent general dimensions of our products. Seal Fast cannot guarantee the dimensions of the part will exactly match those in the drawing. This drawing is the property of Seal Fast Inc. Copying or reproduction of this drawing is expressly prohibited.

**MATERIAL**  
SFxxxSP Carbon Steel Tube  
SFxxxSS Stainless Steel Tube 316

**DRAWING NOT TO SCALE**

**PART # SF...SPC, SS6C**

